

# GMT

## Drainage & Dewatering Pumps



### FEATURES

- High abrasive resistance resin vortex impeller
- Double mechanical seal (upper: CA/CE, lower: SIC/SIC)
- Auto reset thermal protector (for 1 phase)
- Non-air locking
- Designed agitator
- Overheat, overload and phase failure protector (for 3 phase)
- 10 m HO7RN-F cable (1 ph. with plug)
- IP68 Protection
- Insulation Class: B
- Semi-open, steel, coated with thermoplastic polyester impeller
- Maximum immersion depth: 10m
- Maximum liquid temperature: 0-40 °C
- Passage of suspended solids up to 6 mm
- Equipped with float switch as standard (for 1 ph.)
- 2" discharge with house adopter
- Maximum number of start-ups per hour: 30 (at regular intervals)
- Continuous duty (with submerged motor)

### APPLICATIONS

GMT pump is designed for pumping clean or moderately dirty fluids. It uses to pump drain water, infiltration water, and domestic waste water and to remove water from flooded rooms in emergency conditions. It is also used to transfer between tanks and cisterns, emptying ponds, decorative waterfalls, pool and elevator pits.

The pump can be completely or partially submersed. It cannot be used for sea water and inflammable, corrosive, explosive or dangerous liquids.

### OPTIONAL

- 60 Hz
- 115 V
- Overheat and overload protector (for single phase)

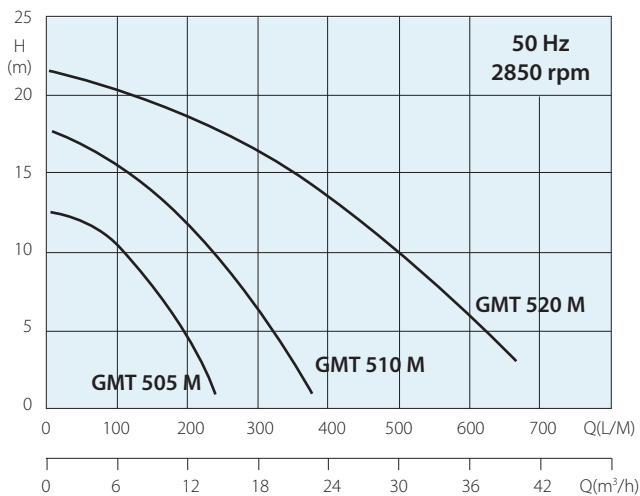
Klixon protector provides protection against overheating from all running and stalled rotor conditions including:

- Plugging duty
- Stalling or failure to start
- Heavy overloads
- High ambient
- Ventilation failures

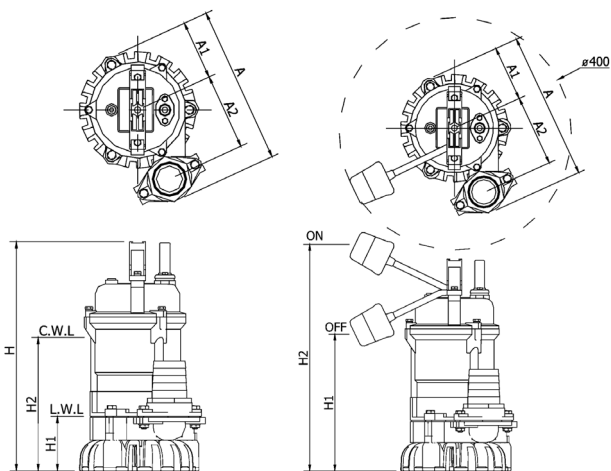
# GMT

## Drainage & Dewatering Pumps

### Performance Table and Dimensions



Type	P2		1 Ph 230 V		Capacitor		3 Ph 400 V		l/min Q m³/h	0	100	150	200	250	300	350	400	500	600	Weight kg
	kW	HP	A	µF	V	A	0	6		9	12	15	18	21	24	30	36			
GMT 505	0,37	0,5	3	12	450	0,9	H m	12,5	10	7,5	3,7	-	-	-	-	-	-	-	-	12,5
GMT 510	0,75	1	5,6	20	450	1,9		18	15	13	11,2	7,5	6,2	3	-	-	-	-	-	15,5
GMT 520	1,5	2	13	30	450	3,5		21,5	20	18,5	18	17	16	14,8	13,2	10	6	6	19,5	



Part	Material
Handle	Nylon 6
Motor Cover	Aluminum Alloy (ADC 12)
Motor Housing	Aluminum Alloy (ADC 12)
Shaft	AISI 410
Impeller	Hytrel (Steel Coated with)
Pump Casing	GG20
Strainer	PVC

Model	A	A1	A2	H	H1	H2
GMT 505	243	94	117	352	200	400
GMT 510	279	94	133	377	225	425
GMT 520	313	107	155	464	294	494